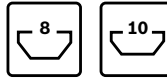


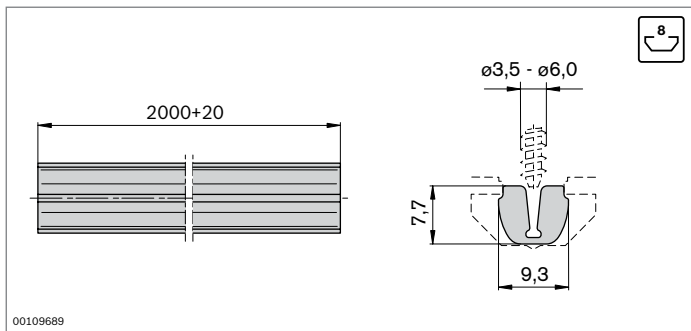
Cover strip profile



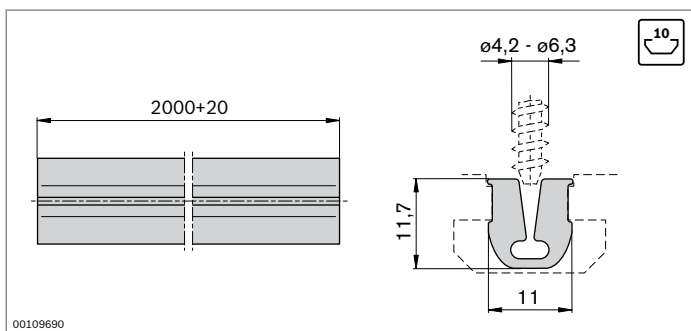
- ▶ Cover strip profile for fastening surface elements using standard sheet metal screws
- ▶ Clipping the cover strip profile into the profile slot
- ▶ Low-cost connecting element

Required accessories:

Sheet metal screws for fastening surface elements



00109689



00109690

Cover strip profile	Slot	L (mm)	No.
	8	2000	3 842 524 069

Material: PVC, light gray RAL 7035

Cover strip profile	Slot	L (mm)	No.
	10	2000	3 842 524 072

Material: PVC, light gray RAL 7035